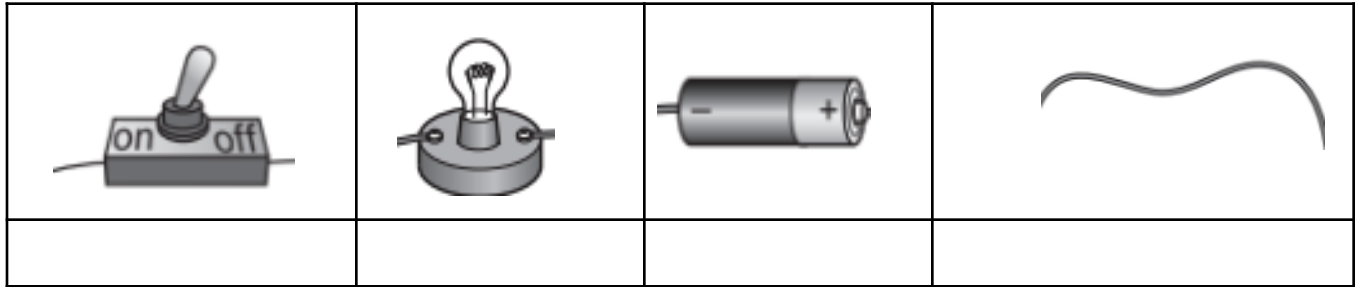


Date: _____

Chapter 8, Practice Worksheet (8.C.3)

1. Label the electrical components.



2. Answer with **true** or **false**.

- a. The human body is a good conductor of electricity. ()
- b. The most common metal used in wires is silver. ()
- c. The switch is the source of the electric current. ()
- d. Wires connect the electrical components of a circuit together. ()

3. **Circle** the correct answer.

a. Ann wonders how the electric current is affected.

- When adding more cells to a circuit, the electric current ____.

increases

decreases

- When using longer wires in a circuit, the electric current ____.

increases

decreases

b. Using identical lamps and same number of cells but changing the

length of wires only, is an example of:

classifying

fair testing

research

4. Macy investigates electrical circuits.

She makes this circuit.

What does Macy do to make lamp **A** brighter?

Circle **all** the correct answers.

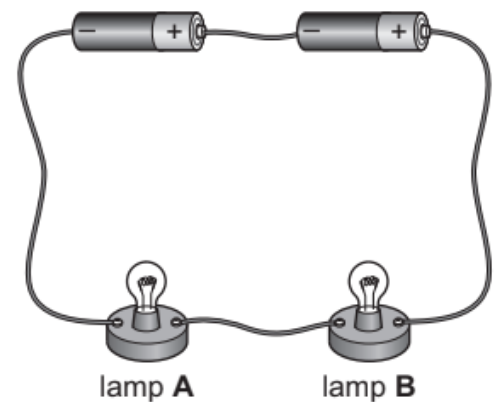
add another cell

add another lamp

remove a cell

remove lamp **B**

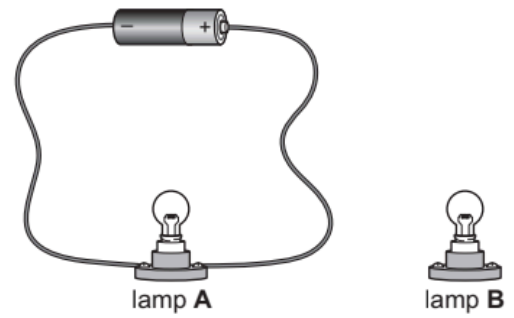
add a switch



5. Carlos makes this electrical circuit.

Lamp **A** is bright.

Carlos adds Lamp **B** to the electrical circuit.

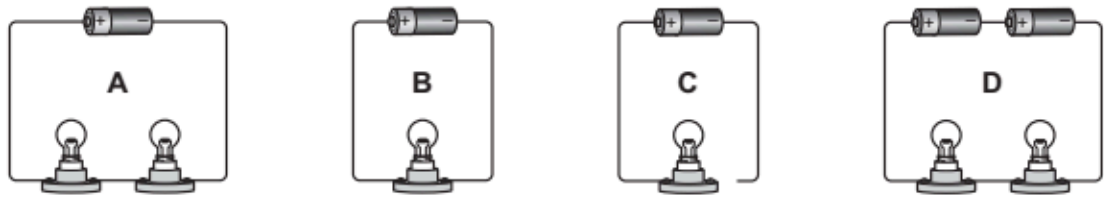


a. Predict what happens to lamp **A**.

b. Carlos wants to turn the lamps on and off.

Write down the name of the component he adds to the electrical circuit.

6. Here are four electrical circuits.



a. One of the electrical circuits does **not** work.

Which electrical circuit does **not** work?

Circle the correct answer.

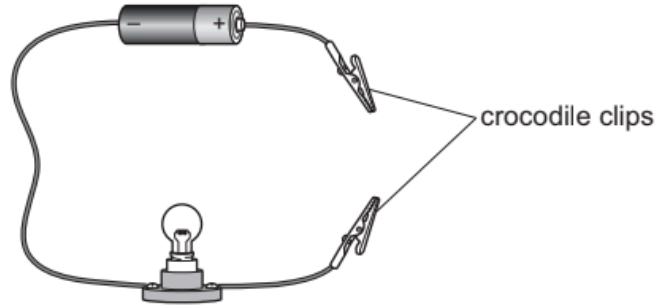
A **B** **C** **D**

b. Why are the wires in the electrical circuit **made of** the metal copper?

c. Why are the wires in the electrical circuit **covered** with plastic?

7. Alia makes this electrical circuit.

Alia completes the circuit by attaching both the crocodile clips to different materials.



a. Complete the table to predict her results.
The first one has been done for you.

material	lamp lights (yes or no)
wood	no
paper
aluminium
steel
rubber

b. Alia writes a conclusion from her results.
Complete her conclusion.

The lamp lights because some materials are _____.

The lamp does **not** light because some materials are _____.

8. Fill in the blanks.

_____ : materials that do not allow the electric current to flow through easily

_____ : set-up with no variables tested

_____ : shining with more light

_____ : materials that allow electric current to flow through easily

_____ : shining with less light

_____ : an object that can open or close a circuit